

# AST 7016

## Teller Cash Recycler *16 Roller*

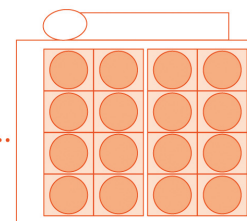
An automatic cash in-cash out recycling unit, the AST 7016 is designed to meet the requirements of financial institutions, or retail, with high volume of recycled bank notes.

Equipped with **16 drums with a capacity of up to 500 US bank notes each**, this unit offers the most capacity and flexibility available on the market, and can handle and recycle up to 8,000 US bank notes.

- ❖ With exceptionally high capacity, the AST 7016 is ideal for backoffice applications to be used by several operators.
- ❖ Banknote recognition is performed by CIMA's sensor BV 5000 bill validator; incorporating the most advanced technologies including: magnetic, infrared, fluorescence, ultraviolet, visible light.
- ❖ Multi-currency operation mode makes it perfect for any background.
- ❖ Extremely compact maintenance footprint due to modular system with two separate internal frames.
- ❖ Remarkable reduction of the teller's working time both in deposit and withdrawal stages; high transaction speed: 6 bank notes per second.
- ❖ High security level allows for open branch design.
- ❖ Real time update of balances, and cash-in-hand.
- ❖ Potential to return the last deposit made.
- ❖ Considerable reduction with cash-in-hand within the branch.
- ❖ Software and hardware for the management of alarms and security locks.

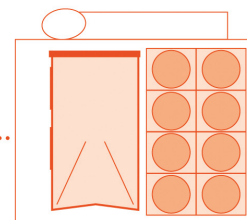


The AST 7016 offers the capability to convert to an 8-roller, AST 7008 with the plug and play module, allowing the user to replace an 8-drum frame with a frame carrying a CIT bag.



AST 7016

**PLUG & PLAY**



AST 7008



Your Most Valuable Partner in the  
Financial Equipment Industry

1.877.708.7722 • [www.mvpatm.com](http://www.mvpatm.com)

# Technical Specifications

# AST 7016

## A. Depth:

UL 291 – 41.5" (1055mm)  
CEN III and CEN IV 45.9" (1165 mm)

## B. Height:

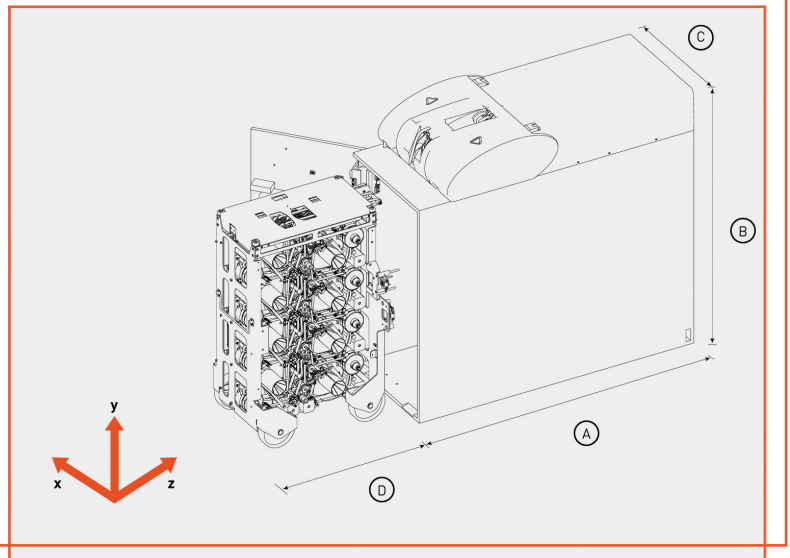
UL291 - 37.7" (957 mm)  
CEN III and CEN IV - 39.8" (1012 mm)

## C. Width:

UL 291 – 17.3" (440 mm)  
CEN III and CEN IV - 19.7" (500 mm)

## D. Drum:

UL 291 – 22.4" (570 mm)  
CEN III and CEN IV – 24.4" (620 mm)



## Weight:

From 992 pounds (450 kg) to  
1631 pounds (740 kg) depending  
on configuration.

## Power Requirements:

- Voltage 90 – 240 VAC
- Frequency 50 – 60 Hz
- Power input 600 w

## Connections:

- RS232 serial port
- USB 1.0 port
- Ethernet

## Number of drums handled:

- Up to 16

## Deposit Capacity:

- Up to 500 US bank notes each  
drum

## Handling of drums:

- Storage by single denomina-  
tion with recycling function
- Multi-denomination storage  
with stocking function
- Drums flexibility

## Bank Notes Detector:

- BV 5000 bill validator
- Possibility of multi-currency operation
- Certified for the detection of counterfeits according to the  
Banknote Recycling Framework of the ECB (Article 6 of  
Council Regulation (EC) No 1338/2001 for the protection of  
the Euro against counterfeiting)
- Certified for the detection of unfit Euro bank notes  
according to the ECB

## Deposit and Withdrawal Speed:

- Up to 6 bank notes per second

## Size of Bank Notes Handled (standard configuration)

- Length from 100 mm to 190 mm
- Width from 60 mm to 82 mm

## Safe available in:

- 12 mm, UL 291, CEN III, and CEN IV

## Security:

- Handling of 20 time bands
- 3 different alarm outputs
- LaGard lock



Your Most Valuable Partner in the  
Financial Equipment Industry

1.877.708.7722 • [www.mvpatm.com](http://www.mvpatm.com)